

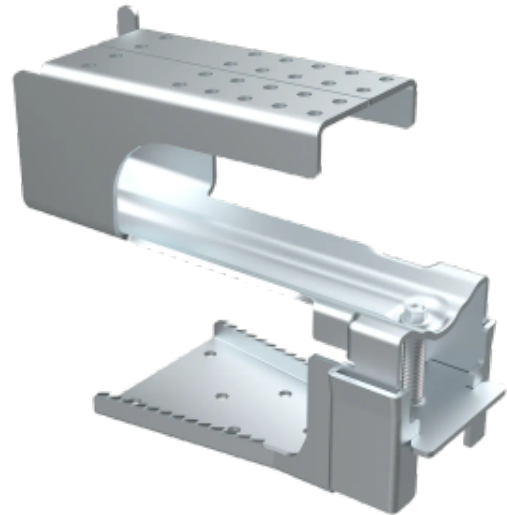
Art.nr: 1357 (Silver), 13573081 (Black)

NM Hyper Meta

NM Hyper Meta is designed to be installed in both battens and tongue and groove. Designed to follow the shape of the roof tile, which means that no cutting is needed and tiles do not have to be shifted. Height is adjusted with an attached screw. Meta is delivered pre-assembled - no preparatory work is needed. When installed in tongue and groove, the hole pattern in the lower section is used, which is adapted for the NM Wood Screw. If the tile is a different shape than the bracket, cutting may be necessary.

Performance

Our products are designed and tested to make installation as hassle-free, easy and safe as possible. Feel free to contact us if you have any questions, and we will be happy to help you.



Product details

Length	170 mm
Width	330 mm
Height	155 mm
Socket	Hex 8 mm
Warranty	30 years
Snow zone	1-5,5
Corrosion class	C4
Manufactured in	Sweden